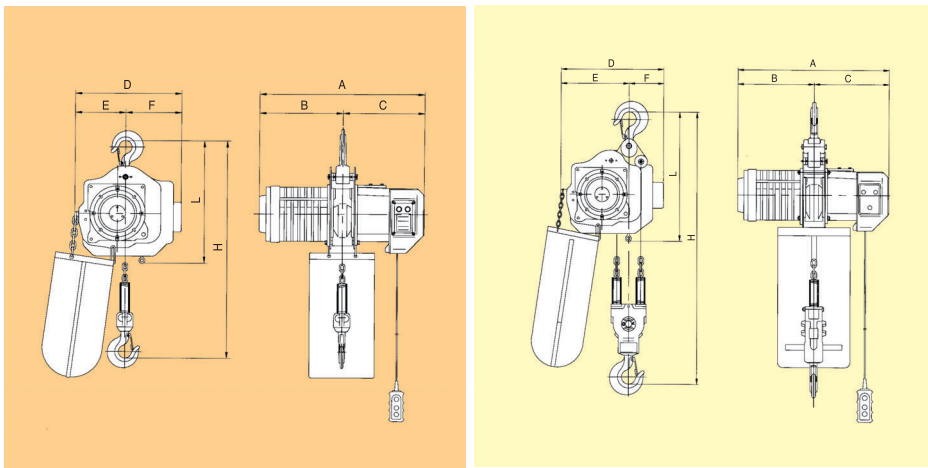
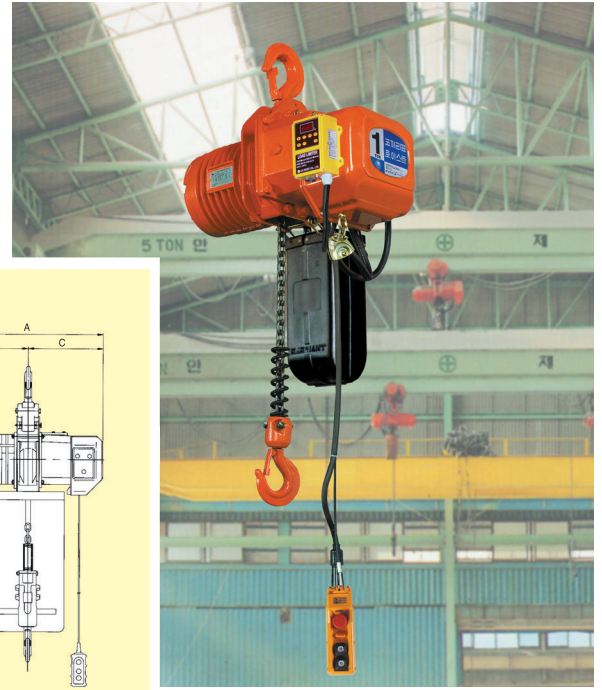


# DA • DB Type

## HOOK SUSPENSION CHAIN HOIST

### 기본형 체인 호이스트



Model		DA-0.5S	DB-0.5S	DA-1S	DB-1S	DA-1.5S	DB-1.5S	DA-2S	DB-2S	DA-2.5S	DB-2.5S
Standard Load(TON)		0.5	0.5	1	1	1.5	1.5	2	2	2.5	2.5
Standard Lift(m)		4	4	4	4	4	4	4	4	4	4
Dimension (mm)	A	582	636	582	636	671	728	671	728	671	728
	B	308	338	308	338	358	383	358	383	358	383
	C	274	298	274	298	313	345	313	345	313	345
	D	364	395	364	395	433	463	433	463	433	463
	E	174	174	174	174	198	198	198	198	198	198
	F	190	225	190	225	235	265	235	265	235	265
	H(min)	600	600	600	600	718	718	735	735	752	752
	L	404	404	404	404	479	479	479	479	483	483
Push Button Cord(M)		3.5	3.5	3.5	3.5	3.5	3.5	3.5	3.5	3.5	3.5
Chain Size(mm)		φ 7.1×21	φ 7.1×21	φ 7.1×21	φ 7.1×21	φ 9.5×28.6	φ 9.5×28.6	φ 11.2×34	φ 11.2×34	φ 11.2×34	φ 11.2×34
Lifting Speed (m/min)	50Hz	6.8	6.8/2.4	6.8	6.8/2.2	8.7	8.7/2.9	6.9	6.9/2.3	5.5	5.5/1.8
	60Hz	8.2	8.2/2.7	8.2	8.2/2.7	10.3	10.3/3.4	8.1	8.1/2.7	6.5	6.5/2.1
Motor out-put (kw)		1.8	1.8/0.7	1.8	1.8/0.7	3.5	4.4/2.2	3.5	4.4/2.2	3.5	4.4/2.2
Net Weight(kg)		73	80	73	80	122	138	126	143	128	144