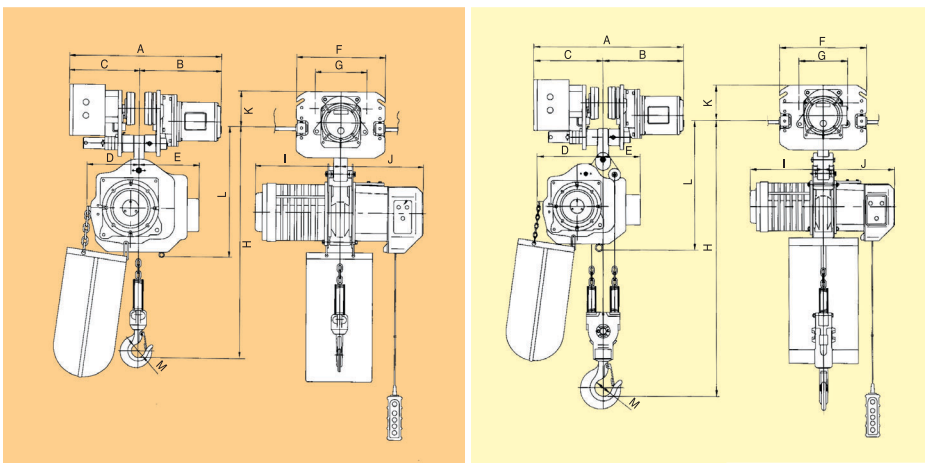
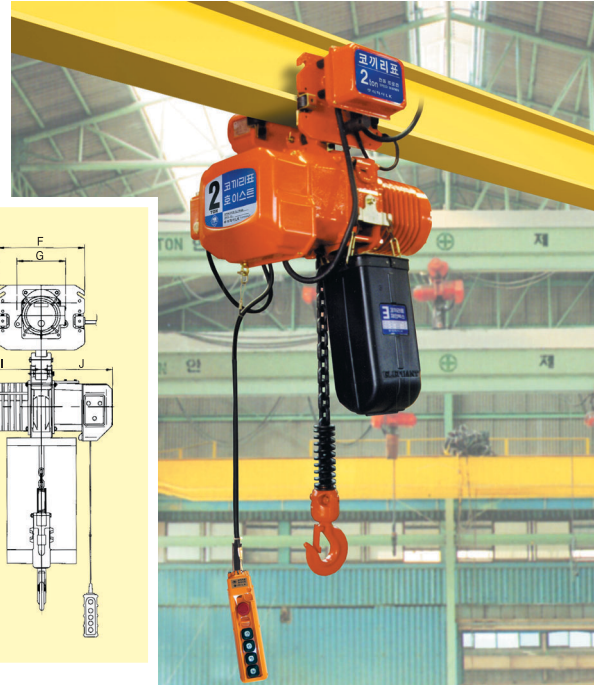


DAM • DBM TYPE

MOTOR TROLLEY TYPE HOIST

모터 트로리 부착형 호이스트



Model	DAM-0.5S (DAMC-0.5S)	DBM-0.5S (DBMC-0.5S)	DAM-1S (DAMC-1S)	DBM-1S (DBMC-1S)	DAM-1.5S (DAMC-1.5S)	DBM-1.5S (DBMC-1.5S)	DAM-2S (DAMC-2S)	DBM-2S (DBMC-2S)	DAM-2.5S (DAMC-2.5S)	DBM-2.5S (DBMC-2.5S)	
Standard Load(TON)	0.5	0.5	1	1	1.5	1.5	2	2	2.5	2.5	
Standard Lift(m)	4	4	4	4	4	4	4	4	4	4	
Dimension (mm)	A	530+*2β	530+*2β	530+*2β	530+*2β	560+*2β	560+*2β	560+*2β	560+*2β	580+*2β	580+*2β
	B	293+*β	293+*β	293+*β	293+*β	308+*β	308+*β	308+*β	308+*β	328+*β	328+*β
	C	237+*β	237+*β	237+*β	237+*β	252+*β	252+*β	252+*β	252+*β	252+*β	252+*β
	Beam 폭	75	75	75	75	100	100	100	100	100	100
	D	174	174	174	174	198	198	198	198	198	198
	E	190	225	190	225	235	265	235	265	235	265
	F	300	300	300	300	315	315	315	315	360	360
	G	111	111	111	111	126	126	126	126	140	140
	H(min)	600	600	600	600	700	700	740	740	770	770
	I	308	338	308	338	358	383	358	383	358	383
	J	274	340	274	298	313	345	313	345	313	345
	K	132	132	132	132	130	130	130	130	148	148
	L	400	400	400	400	461	461	461	461	465	465
M	φ 35	φ 35	φ 35	φ 35	φ 53.5	φ 53.5	φ 53.5	φ 53.5	φ 60	φ 60	
Traversing Speed (m/min)	50Hz	11/18	11/18	11/18	11/18	11/18	11/18	11/18	11/18	16	16
	60Hz	14/22	14/22	14/22	14/22	14/22	14/22	14/22	14/22	20	20
Motor out-put(kw)	0.4	0.4	0.4	0.4	0.4	0.4	0.4	0.4	0.75	0.75	
Min.radius of curvature(m)	1100	1100	1100	1100	1500	1500	1500	1500	1500	1500	
Net Weight(kg)	112	112	112	119	168	184	172	189	203	219	